

Contents

1. Scope.....	1
2. SOIC16 Pinout.....	2
3. General.....	3
4. Electrical Specifications	4
5. Internal Overcurrent Detection principle.....	4
6. External Overcurrent Detection.....	6
6.1. Principle.....	6
6.2. Application examples.....	6
6.3. Unidirectional OCD with bidirectional output.....	8
6.3.1. Unipolar current sensor	8
6.3.2. External reference voltage	8
6.3.3. Configurations.....	9
7. Chronogram	9
8. Over Current Detection Behavior Around Threshold	10
9. OCD_{EXT} Behavior Around Threshold Value.....	11
10. Disclaimer.....	12

1. Scope

The MLX91220 is an Integrated Current Sensor that senses the current flowing through the leadframe of the SOIC package. By virtue of fixing the current conductor position with respect to the monolithic CMOS sensor, a fully integrated Hall-effect current sensor is obtained, that is factory calibrated.

For the SOIC16 package version, the MLX91220 provides two OCD features that allow detecting overcurrent applied on the integrated sensor primary. The detection of overcurrent does not trigger any internal safety mechanism. It is up to the application to use the overcurrent **information**.

The internal overcurrent detection level is factory calibrated and is used for detecting dangerously high current to prevent short circuits for example.

The external overcurrent detection level can be set by the user through external resistance connected to V_{DD} and V_{REF} or through an external reference level.

2. SOIC16 Pinout

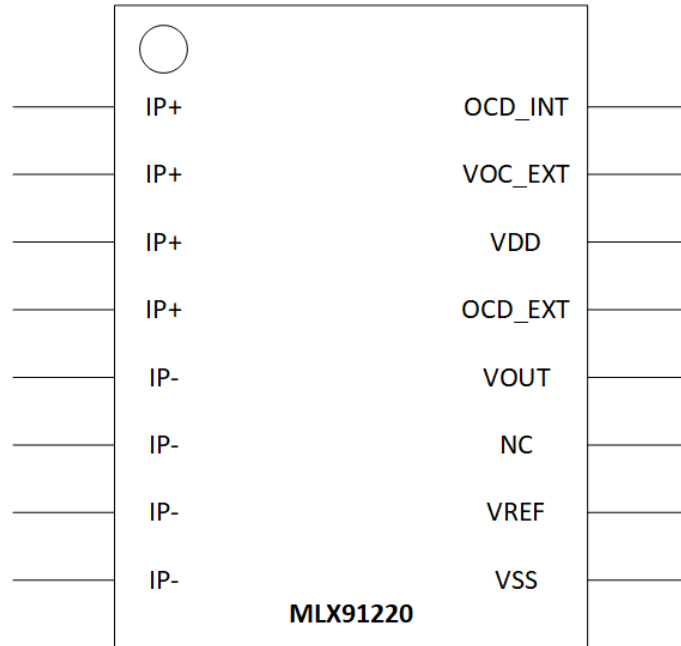


Figure 1 - MLX91220 SOIC16 Pinout

PIN	Pin name	Function
1	IP+	Primary Current Path Input
2		
3		
4		
5	IP-	Primary Current Path Output
6		
7		
8		
9	VSS	Ground Voltage
10	VREF	Reference Voltage
11	NC	<i>Not connected</i>
12	VOUT	Output Voltage
13	OCDEXT	External Overcurrent detection
14	VDD	Supply Voltage
15	VOCEXT	External Overcurrent threshold voltage
16	OCDINT	Internal Overcurrent Detection

3. General

During normal operation the OCD voltage remains at V_{DD} . This OCD feature is available for SOIC16 version only. In case of OCD detection, the OCD_{INT} or OCD_{EXT} is pulled to ground.

The two OCD functions are able to react to an overcurrent event within few μs of response time. To avoid false alarm, the overcurrent has to be maintained at least $1\mu s$ (for OCD_{INT}) or $10\mu s$ (for OCD_{EXT}) for the detection to occur. After detection by the sensor the output flag is maintained for $10\mu s$ of dwell time. This allows the overcurrent to be easily detected at microcontroller level.

	OCD_INT		OCD_EXT	
	Min	Max	Min	Max
Typical Application	Short-circuit detection		Out-of-range detection	
Overcurrent effect	OCD_{INT} pin to V_{SS}		OCD_{EXT} pin to V_{SS}	
Detection mode	Bidirectional		Unidirectional / bidirectional	
Accuracy	Lower		Higher	
Threshold trimming	EEPROM		Voltage divider on VOC_{EXT}	
Response time	$1.4\mu s$	$2.1\mu s$	$10\mu s$ typical	
Required Input holding time	$0.5\mu s$		$10\mu s$ minimum	
OCD output dwell time	$10\mu s$		$10\mu s$	

Table 1: Comparison between OCD_{INT} and OCD_{EXT} performances

4. Electrical Specifications

DC Operating Parameters at $V_{DD} = 3.3V$ or $5V$ (unless otherwise specified) and for T_A as specified by the Temperature suffix (K).

Parameter	Symbol	Test Conditions	Min	Typ	Max	Units
OCD_INT Internal ON Resistance	$R_{ON_OCD_INT}$	$I_{SINK} = 1\text{ mA}$	60	90	150	Ω
OCD_EXT Internal ON Resistance	$R_{ON_OCD_EXT}$	$I_{SINK} = 1\text{ mA}$	160	190	280	Ω
VOC_EXT Voltage Range	VOC_EXT	MLX91221, $V_{DD} = 3.3\text{ V}$, bipolar	0.3		1.2	V
		MLX91221, $V_{DD} = 3.3\text{ V}$, unipolar	2		3	V
		MLX91220, $V_{DD} = 5\text{ V}$, bipolar	0.3		2	V
		MLX91220, $V_{DD} = 5\text{ V}$, unipolar	3		4.7	V
OCD_EXT threshold error	ϵ_{EOCD}		-6		6	%
OCD_INT Accuracy	ϵ_{IOCD}	See Table 4: OCD_INT threshold currents and accuracy limits for SOIC-16 versions				

Table 2: DC operating parameters

5. Internal Overcurrent Detection principle

The internal OCD takes fixed threshold voltage values predefined in the EEPROM and do not require any extra components. The OCD_INT implementation allows detecting overcurrent outside of the output measurement range of the sensor and is therefore suitable for large current peaks as occurring during short-circuits. If the theoretical sensor output overcomes the OCD_INT voltage threshold, the overcurrent event is flagged on OCDINT pin. The internal OCD offers a faster response than OCD_EXT but the threshold is defined less accurately. The default OCD threshold voltages are defined as follow, but other values can be set on request. The overcurrent threshold in ampere is deduced from the sensitivity of the sensor [mV/A] and the OCD_INT threshold voltage.

	Sensor configuration	Min.	Max.
OCD_INT Threshold [% FS]	$V_{DD} = 5V / V_{REF} = 2.5V$	27.2	230
	$V_{DD} = 5V / V_{REF} = 0.5V$	13.6	288
	$V_{DD} = 3.3V / V_{REF} = 1.65V$	43.6	368.4

Table 3: OCD_INT factory programmable range

MLX91220 Application Note

Over Current Detection

Sensor reference	Sensitivity [mV/A]	OCD _{INT} Threshold Current [% FS]	OCD _{INT} Threshold Current	Typical OCD _{INT} Accuracy Ta= 25°C	Typical OCD _{INT} Accuracy Ta= -40°C to 85°C
MLX91220KDF-ABx-117	120	87.1	14.8 A	9.7 %	17.6 %
MLX91220KDF-ABx-020	100	111.2	22.2 A	8 %	12 %
MLX91220KDF-ABx-025	80	111.2	27.8 A	7.5 %	11.5 %
MLX91220KDF-ABx-030	66.7	112.3	33.7 A	7 %	11 %
MLX91220KDF-ABx-050	40	111.2	55.6	4.2 %	6.2 %
MLX91220KDF-ABx-075	26.7	111.2	83.4	4 %	6 %
MLX91221KDF-ABx-010	120	100	10 A	9.7 %	17.6 %
MLX91221KDF-ABx-020	62.5	100.4	20.1 A	6 %	11 %
MLX91221KDF-ABx-120	62.5	140	28 A	6 %	11 %
MLX91221KDF-ABx-025	50	107.6	25.1 A	5.5 %	10.2 %
MLX91221KDF-ABx-038	33.3	112.6	42.8 A	5 %	10 %
MLX91221KDF-ABx-050	25	122	57 A	4 %	6 %
MLX91221KDF-ABx-075	16.7	122	85.6	4 %	6 %

Table 4: OCD_{INT} threshold currents and accuracy limits for SOIC-16 versions

6. External Overcurrent Detection

6.1. Principle

The external OCD uses the voltage applied on VOC_{EXT} pin as threshold voltage. This translates into an overcurrent threshold in ampere depending on the sensitivity of the sensor. A voltage divider on VOC_{EXT} allows defining the threshold voltage in a custom way. Depending on the voltage divider configuration, the OCD_{EXT} can be used either in bidirectional or unidirectional mode. The External OCD threshold is defined within the measurement range of the sensor output. This feature is then suitable for out-of-range detection where the OCD threshold remains close to the nominal current. It offers a better accuracy than OCD_{INT} but the response is slower. The below table presents the unidirectional and bidirectional external OCD configurations.

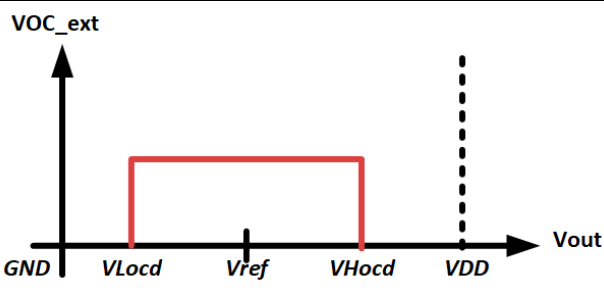
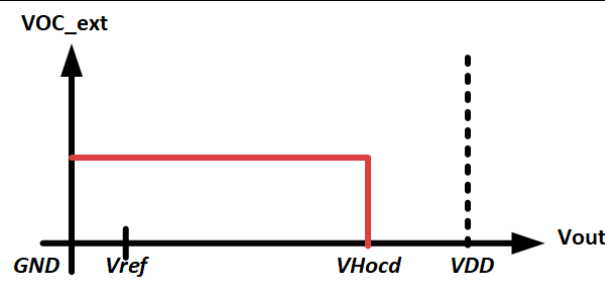
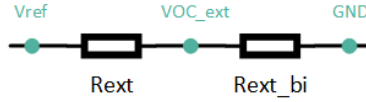
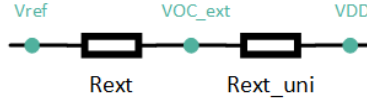
Bidirectional configuration	Unidirectional configuration
	
	
$VOC_{EXT} = V_{REF} * \frac{R_{ext_bi}}{R_{ext} + R_{ext_bi}}$ $VLocd = VOC_{EXT}$ $VHocd = 2 * V_{REF} - VLocd$	$VOC_{EXT} = V_{REF} + (V_{DD} - V_{REF}) * \frac{R_{ext}}{R_{ext} + R_{ext_uni}}$ $VHocd = VOC_{EXT}$

Table 5: External OCD, bidirectionnal and unidirectional configurations

6.2. Application examples

Due to the current limitation of the reference pin a high impedance is needed on the input. Thus $R_{ext} + R_{ext_uni}$ or $R_{ext} + R_{ext_bi}$ should be higher than 200 kΩ.

Below are exposed some examples for external overcurrent detection. Calculations are made for $VDD = 5 V$. $VREF = 2.5 V$ in the bidirectional configuration and $VREF = 0.5 V$ in the unidirectional configuration.

MLX91220 Application Note

Over Current Detection

Current range [A]	Rext [kΩ]	Bipolar			Unipolar		
		Sensitivity [mV/A]	Rext_bi [kΩ]	Thresholds [A]	Sensitivity [mV/A]	Rext_uni [kΩ]	Threshold [A]
25	160	80	40	±25			
25	200	80	28	±27.4			
50	160	40	40	±50	80	65	40
50	300	40	100	±38.5	80	22	52.4

Table 6: Configuration examples for external OCD

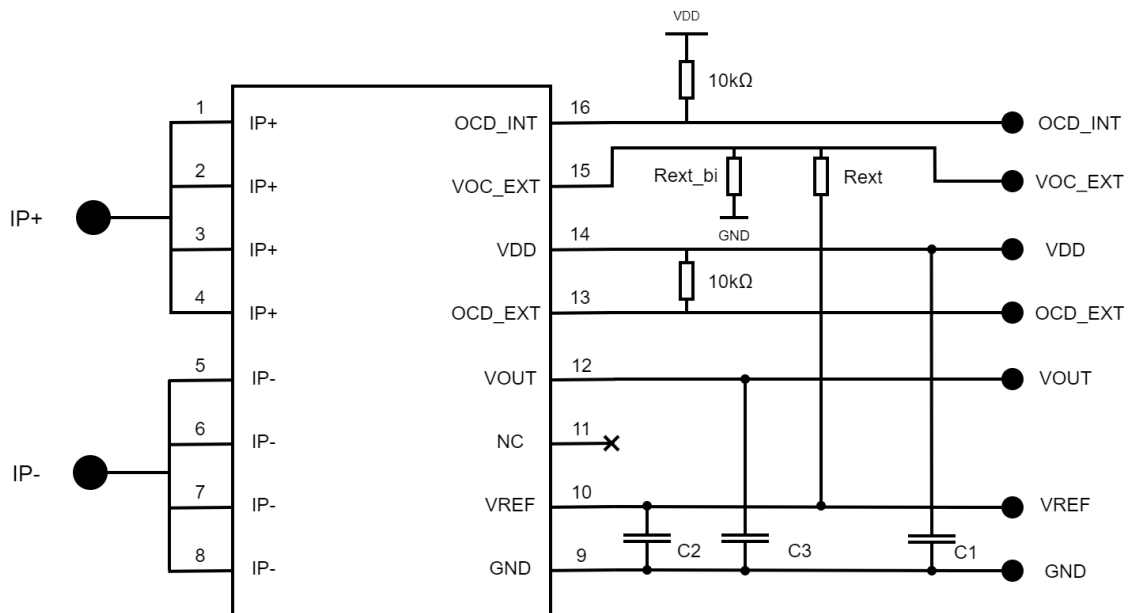


Figure 2: Recommended wiring for the MLX91220 with Bidirectional External OCD

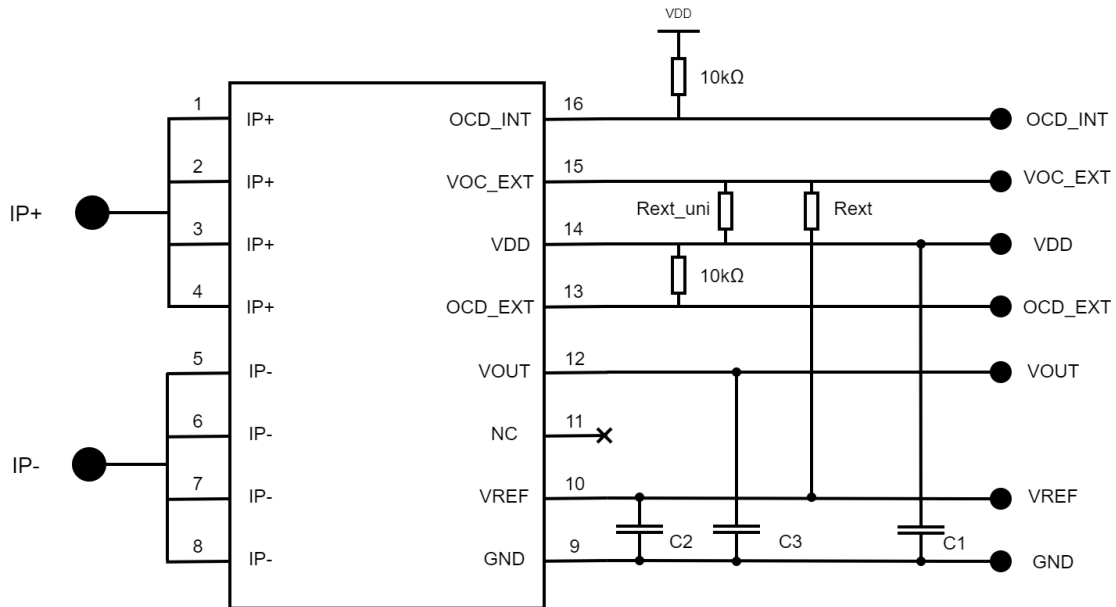


Figure 3: Recommended wiring for the MLX91220 with Unidirectional External OCD

6.3. Unidirectional OCD with bidirectional output

By default, when the sensor is programmed to have a bipolar output, the overcurrent detection is also performed bidirectionally. It means that there are two symmetrical detection levels V_{Lodc} and V_{Hodc} (cf. section 6.1 and 6.2).

It is still possible to have a bipolar current output for the application and have only one threshold $V_{Hodc} = VOC_EXT$ for the overcurrent detection. To do so, it is needed to use the unipolar version of the sensor and an external reference voltage that is set either at 2.5 V (for MLX91220) or at 1.65 V (for MLX91221). Beware that in that case, the OCD threshold value will be on the positive current. If a threshold on the negative current is needed, the connection of IP+ and IP- should be inverted.

6.3.1. Unipolar current sensor

The polarity of the sensor is defined in the highlighted part of the product code: MLX9122xKDx-A**U/B**x-0xx. **U** stands for unipolar and **B** for bipolar. Please consult the datasheet for more information about the product code.

6.3.2. External reference voltage

If an external reference voltage is used, the signal should be buffered to overcome the reference current limitation on VREF. Please consult the application note on the Reference Pin AN91220_ReferencePin on www.melexis.com for more details on how to use an external reference voltage.

6.3.3. Configurations

Requested linear current measurement range polarity (V_{OUT})	Requested Over Current Detection (OCD_{EXT})	Ordering code (ABx or AUx)	Reference voltage	Value of reference voltage	OCD thresholds
Bipolar	Bidirectional	Bipolar-ABx	Internal	2.5 V (MLX91220) or 1.65 V (MLX91221)	Two thresholds (V_{Locd} and V_{Hocd})
		Bipolar-ABx	External	2.5 V (MLX91220) or 1.65 V (MLX91221)	Two thresholds (V_{Locd} and V_{Hocd})
Unipolar	Unidirectional	Unipolar-AUx	Internal	0.5 V	Single threshold $V_{OC_{EXT}}$
		Unipolar-AUx	External	0.5 V	Single threshold $V_{OC_{EXT}}$
Bipolar	Unidirectional	Unipolar-AUx	External	2.5 V (MLX91220) or 1.65 V (MLX91221)	Single threshold $V_{OC_{EXT}}$

Table 7: Different OCD configurations

7. Chronogram

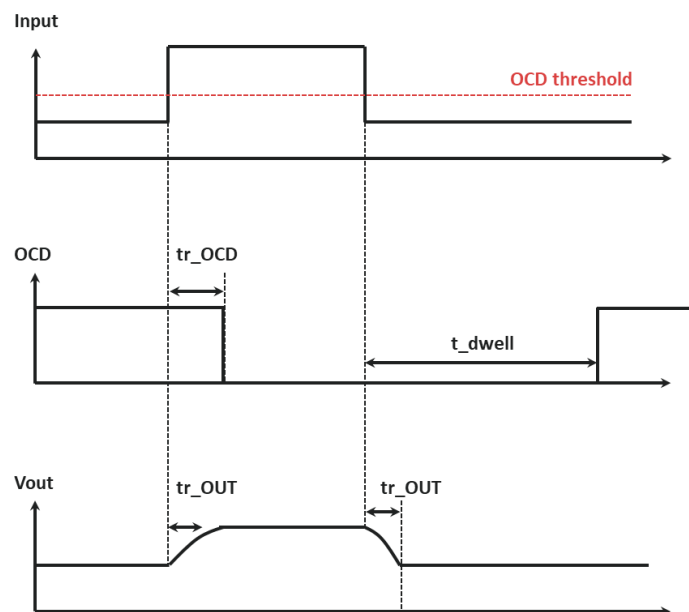


Figure 4: Chronogram showing over current detection behavior

Parameter	Description	OCD_int		OCD_ext
		Min	Max	Typ
tr_OCD	Response time of the overcurrent detection	1.4 μ s	2.1 μ s	10 μ s
t_dwell	OCD output dwell time		10 μ s	
tr_out	Response time of the analog output		< 2.4 μ s	

Table 8: OCD and output timing specifications

8. Over Current Detection Behavior Around Threshold

When the primary current I reach the Over Current Threshold ($I_{\text{THRESHOLD_LOW}}$) for OCD_{INT} or OCD_{EXT} , the expected behavior is to see the OCD pin to the ground.

In practice, there is a small current range ($\sim 1\text{-}2$ A) where the OCD pin can be alternatively pulled-up and pulled-down. Above this range, the OCD pin will be constantly pulled-down to GND.

OCD_{EXT} threshold is determined by customer VOC level.

OCD_{INT} threshold provided in the Datasheet and this Application Note corresponds to $I_{\text{THRESHOLD_LOW}}$ as it is essential to detect an overcurrent effect as fast as possible.

Current	Application effect
$I < I_{\text{THRESHOLD_LOW}}$	OCD pin to VDD
$I_{\text{THRESHOLD_LOW}} < I < I_{\text{THRESHOLD_HIGH}}$	Transitory area where OCD pin can be at VDD or GND
$I > I_{\text{THRESHOLD_HIGH}}$	OCD pin to GND

Table 9: OCD behavior around threshold value

9. OCD_{EXT} Behavior Around Threshold Value

OCD_{EXT} requires $10\ \mu\text{s}$ (typ.) of Over Current to be triggered. After the end of the Over Current Effect, OCD_{EXT} pin has a dwell time of $10\ \mu\text{s}$. (cf. 7 Chronogram)

It is possible to observe a very short dwell time ($300\ \text{ns}$) if the input current holds only for $9\ \mu\text{s}$. If the OCD mechanism at application level is fast enough, an Over Current can be detected already at $9\ \mu\text{s}$.

We have two cases from the application perspective.

- 1) The Over Current Event acquisition mechanism is fast enough to detect the $300\ \text{ns}$ dwell time. An Over Current effect is detected even though the current hold less than $10\ \mu\text{s}$. It is a safe state as there was an Over Current Effect.
- 2) The Over Current Event acquisition mechanism can't detect the dwell time of $300\ \text{ns}$. It is still a safe state as it means that the Over Current Event disappeared.

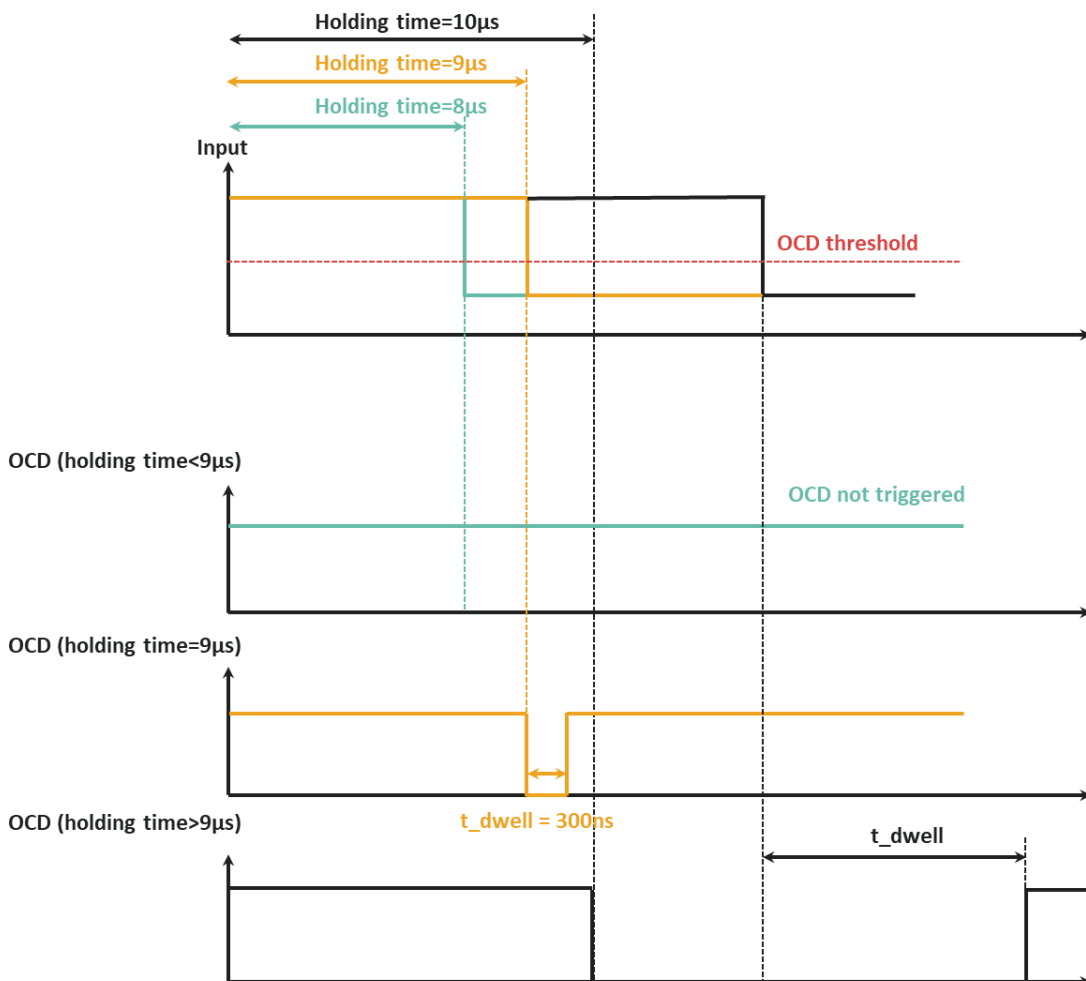


Figure 5: OCD_{EXT} behavior for various input holding time

10. Disclaimer

The content of this document is believed to be correct and accurate. However, the content of this document is furnished "as is" for informational use only and no representation, nor warranty is provided by Melexis about its accuracy, nor about the results of its implementation. Melexis assumes no responsibility or liability for any errors or inaccuracies that may appear in this document. Customer will follow the practices contained in this document under its sole responsibility. This documentation is in fact provided without warranty, term, or condition of any kind, either implied or expressed, including but not limited to warranties of merchantability, satisfactory quality, non-infringement, and fitness for purpose. Melexis, its employees and agents and its affiliates' and their employees and agents will not be responsible for any loss, however arising, from the use of, or reliance on this document. Notwithstanding the foregoing, contractual obligations expressly undertaken in writing by Melexis prevail over this disclaimer.

This document is subject to change without notice, and should not be construed as a commitment by Melexis. Therefore, before placing orders or prior to designing the product into a system, users or any third party should obtain the latest version of the relevant information. Users or any third party must determine the suitability of the product described in this document for its application, including the level of reliability required and determine whether it is fit for a particular purpose.

This document as well as the product here described may be subject to export control regulations. Be aware that export might require a prior authorization from competent authorities. The product is not designed, authorized or warranted to be suitable in applications requiring extended temperature range and/or unusual environmental requirements. High reliability applications, such as medical life-support or life-sustaining equipment or avionics application are specifically excluded by Melexis. The product may not be used for the following applications subject to export control regulations: the development, production, processing, operation, maintenance, storage, recognition or proliferation of:

- 1. chemical, biological or nuclear weapons, or for the development, production, maintenance or storage of missiles for such weapons;*
- 2. civil firearms, including spare parts or ammunition for such arms;*
- 3. defense related products, or other material for military use or for law enforcement;*
- 4. any applications that, alone or in combination with other goods, substances or organisms could cause serious harm to persons or goods and that can be used as a means of violence in an armed conflict or any similar violent situation.*

No license nor any other right or interest is granted to any of Melexis' or third party's intellectual property rights.

If this document is marked "restricted" or with similar words, or if in any case the content of this document is to be reasonably understood as being confidential, the recipient of this document shall not communicate, nor disclose to any third party, any part of the document without Melexis' express written consent. The recipient shall take all necessary measures to apply and preserve the confidential character of the document. In particular, the recipient shall (i) hold document in confidence with at least the same degree of care by which it maintains the confidentiality of its own proprietary and confidential information, but no less than reasonable care; (ii) restrict the disclosure of the document solely to its employees for the purpose for which this document was received, on a strictly need to know basis and providing that such persons to whom the document is disclosed are bound by confidentiality terms substantially similar to those in this disclaimer; (iii) use the document only in connection with the purpose for which this document was received, and reproduce document only to the extent necessary for such purposes; (iv) not use the document for commercial purposes or to the detriment of Melexis or its customers. The confidentiality obligations set forth in this disclaimer will have indefinite duration and in any case they will be effective for no less than 10 years from the receipt of this document.

This disclaimer will be governed by and construed in accordance with Belgian law and any disputes relating to this disclaimer will be subject to the exclusive jurisdiction of the courts of Brussels, Belgium.

The invalidity or ineffectiveness of any of the provisions of this disclaimer does not affect the validity or effectiveness of the other provisions.

The previous versions of this document are repealed.

Melexis © - No part of this document may be reproduced without the prior written consent of Melexis. (2022)

IATF 16949 and ISO 14001 Certified

***For the latest version of this document or find your local contact, visit us at
www.melexis.com***