

# MLX91220 Application Note

## Reference pin functionality and usage

### Contents

1. Scope.....	1
2. Electrical specifications.....	2
3. Ratiometric mode or non-ratiometric mode with internal $V_{ref}$ .....	3
4. Internal VREF .....	4
4.1. Improper configuration: External low impedance connected to VREF (Resistor divider) .....	4
4.2. Recommended configuration: External high impedance connected to VREF (Resistor divider) ...	5
5. External VREF .....	6
5.1. Recommended configuration: Buffer amplifier connected to VREF .....	6
5.2. Recommended configuration for multisensory application: Same reference level.....	7
6. Polarity of the output .....	8
6.1. Bipolar version .....	8
6.2. Unipolar version.....	8
7. Disclaimer .....	10
8. Revision history table .....	11

### 1. Scope

The MLX91220's output can be used in two modes: ratiometric and non-ratiometric (also called fixed mode).

The reference pin on MLX91220 is used with non-ratiometric versions. It provides the reference voltage to which the output voltage should be compared to. Subtracting  $V_{ref}$  to  $V_{out}$  gives a signal proportional to the input current. By definition,  $V_{out}$  pin is equal to  $V_{ref}$  pin when no current is floating through the primary conductor. The equation below displays the relation between the signals  $V_{out}$ ,  $V_{ref}$  the sensitivity  $S$  in V/A and the current  $I$  in A when the **fixed** version is used.

$$V_{out} - V_{ref} = S \cdot I \text{ (fixed mode)}$$

In the **ratiometric** version, the output voltage is in proportion of the supply voltage  $V_{DD}$ , consequently the sensitivity  $S$  is expressed as  $\%V_{DD}/A$ . When no current is floating through the primary conductor  $V_{out}[0A] = 50\%$  of  $V_{DD}$ .

$$V_{out} - V_{out}[0A] = S \cdot I \text{ (ratiometric mode)}$$

This application note aims to describe how to use the  $V_{ref}$  pin with both sensor versions.

## 2. Electrical specifications

Table 1: MLX91220KDx-ABF-x electrical specifications from MLX91220\_Datasheet\_Rev1.0

Parameter	Symbol	Unit	Test Conditions	Specification		
				Min	Typ	Max
Reference voltage (output)	$V_{ref}$	V	$T_A = 35^\circ\text{C}$	2.48	2.5	2.52
Reference voltage (input)	$V_{ref}$	V	$V_{DD} = 5\text{ V}$	0.5	-	2.6
Reference internal resistance	$R_{ref}$	$\Omega$	-	120	200	300
Thermal Reference Drift	$\Delta T_{V_{ref}}$	ppm/ $^\circ\text{C}$	Variation versus $25^\circ\text{C}$ $V_{ref} = 2.5\text{ V}$	-	-	$\pm 150$

Table 2: MLX91221KDx-ABF-x electrical specifications from MLX91221\_Datasheet\_Rev1.0

Parameter	Symbol	Unit	Test Conditions	Specification		
				Min	Typ	Max
Reference voltage (output)	$V_{ref}$	V	$T_A = 25^\circ\text{C}$	1.64	1.65	1.66
Reference voltage (input)	$V_{ref}$	V	$V_{DD} = 3.14 - 3.46\text{ V}$	0.5	-	1.8
Reference internal resistance	$R_{ref}$	$\Omega$	-	120	200	300
Thermal Reference Drift	$\Delta T_{V_{ref}}$	ppm/ $^\circ\text{C}$	Variation versus $25^\circ\text{C}$ $V_{ref} = 1.65\text{ V}$	-	-	$\pm 150$

### 3. Ratiometric mode or non-ratiometric mode with internal $V_{ref}$

In ratiometric mode,  $V_{ref}$  is not used but the pin **should not be grounded** as this will affect the output signal. It is recommended to use a **47 nF** decoupling capacitor on the pin.

In non-ratiometric mode,  $V_{ref}$  signal can be set internally or forced externally. When the reference signal is internal, the only precaution to take is to use also a 47 nF decoupling capacitor.

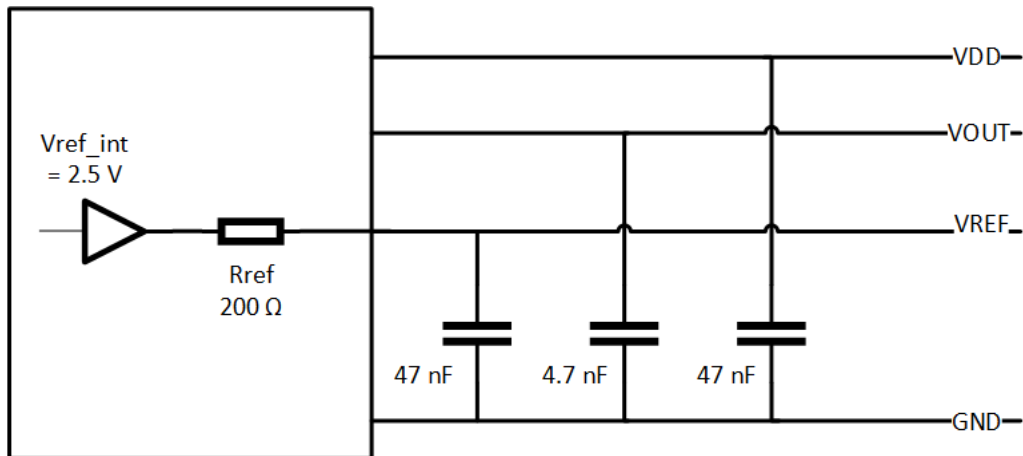


Figure 1:  $V_{ref}$  used as output or  $V_{ref}$  not used

### 4. Internal VREF

In fixed mode, one needs to measure the pin VOUT and VREF to retrieve the current. The reference voltage is provided internally and can be read directly by the microcontroller.

The reference buffer has a current source/sink limitation (source = 0.6mA and sink  $\gg$  0.6mA) that needs to be taken into account **if a resistive load is connected** to  $V_{ref}$ . Below are presented two cases: a good configuration and a bad one.

#### 4.1. Improper configuration: External low impedance connected to VREF (Resistor divider)

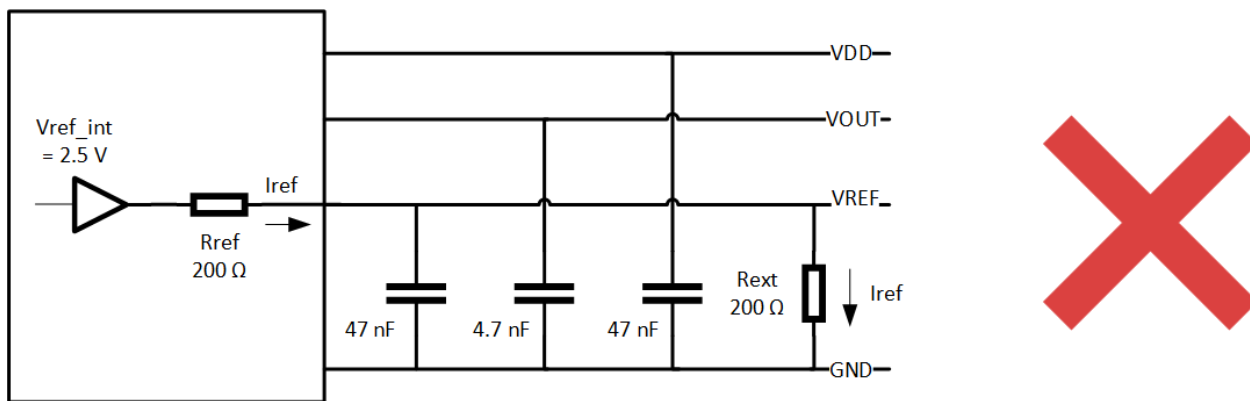
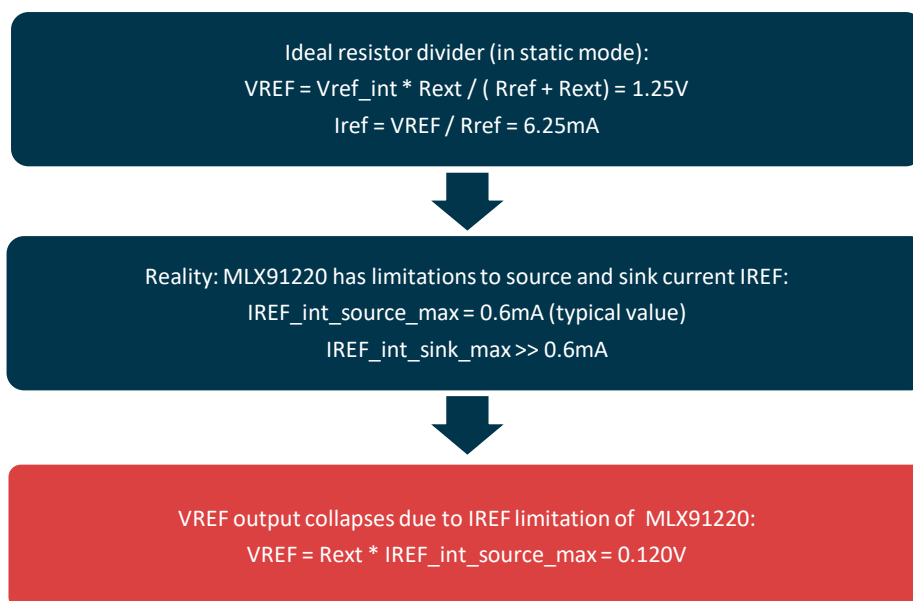


Figure 2: Low impedance configuration

VREF accuracy strongly depends on the tolerance of  $R_{ext}$ , therefore a resistive divider is not recommended.



If the current  $I_{ref}$  is below 0.6 mA, it is guaranteed to have a  $V_{ref\_int} = 2.5 V$  but the VREF will depend on the resistor value.

### 4.2. Recommended configuration: External high impedance connected to VREF (Resistor divider)

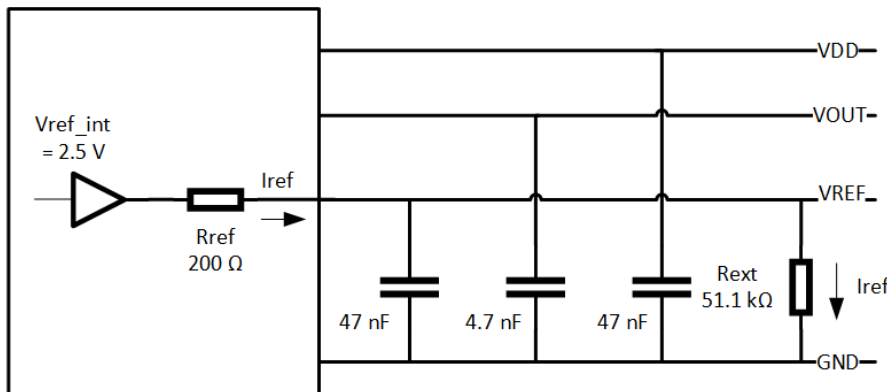


Figure 3: High impedance configuration

To avoid the current/sink limitation of the reference buffer,  $I_{ref}$  should be  $< 0.6$  mA. This means that  $R_{ext} > \frac{V_{REF}}{I_{ref\_max}} > \frac{2500}{0.6} = 4.2$  kΩ.

Having  $R_{EXT} > 4.2$  kΩ will avoid the VREF output to collapse but it will nevertheless induce a voltage drop that needs to be taken into account.

$$V_{REF} = \frac{R_{ext}}{R_{ref} + R_{ext}} \cdot V_{ref\_int}$$

Table 3: Effect of external resistor on VREF level (calculated for  $R_{ref} = 200$  Ω)

$R_{ext}$ [kΩ]	VREF [V]	Voltage Drop [mV]
6.18	2.42	78
10	2.45	49
51.1	2.49	9.75

### 5. External VREF

It is possible to use an external reference voltage in the range specified on Table 1 and Table 2. Due to the reference current limitation already mentioned in previous sections, it is necessary to use a buffered signal (cf. Recommended configuration: Buffer amplifier connected to VREF).

In case of multisensory application (cf. Recommended configuration for multisensory application: Same reference level) it is possible to reduce the current limitation by disabling the internal resistor. Contact Melexis to have more information on this solution.

#### 5.1. Recommended configuration: Buffer amplifier connected to VREF

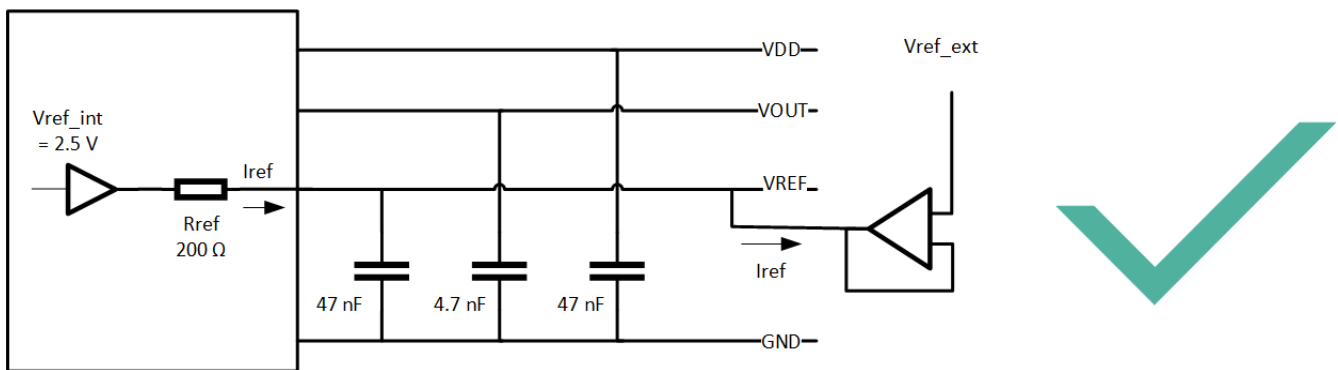


Figure 4: Good configuration for Vref used as an input

VREF\_EXT is provided by the application circuit:  
 $V_{ref\_ext} = 1.25V$  (example)



VREF is held to Vref\_ext thanks to the buffer amp:  
 $V_{REF} = V_{ref\_ext} = 1.25V$

### 5.2. Recommended configuration for multisensory application: Same reference level

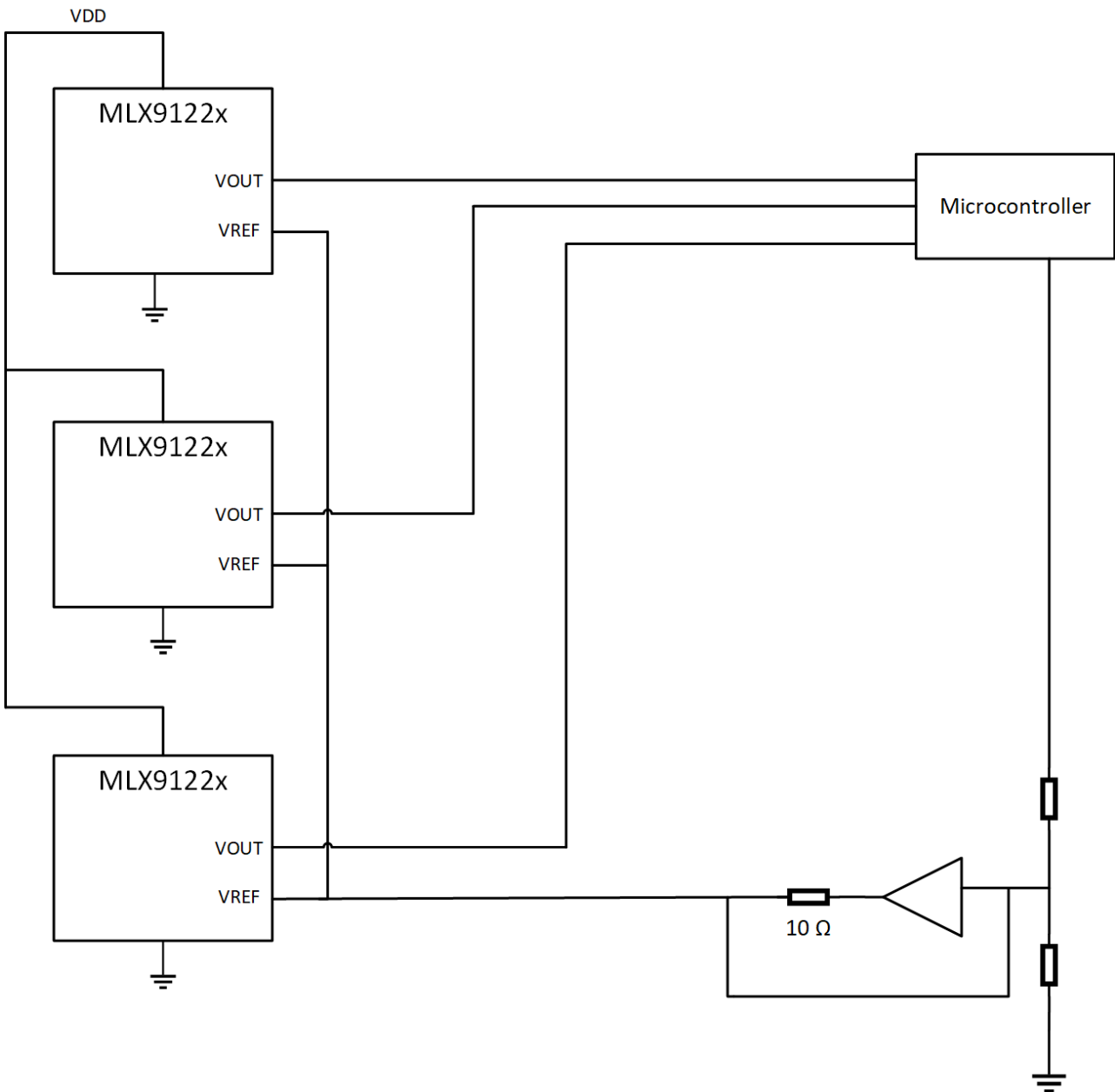


Figure 5: Configuration with multiplexed sensor referenced with the same level

## 6. Polarity of the output

### 6.1. Bipolar version

The VREF value corresponds to the value of the output at 0 A. By configuring it as half of the supply, the output is set to be bipolar hence, the current can be measured positively and negatively. Figure 6 shows the output of a bipolar MLX91220 programmed with a sensitivity of 80 mV/A. As the MLX91220 supply voltage is 5 V, the reference voltage is set to 2.5 V.

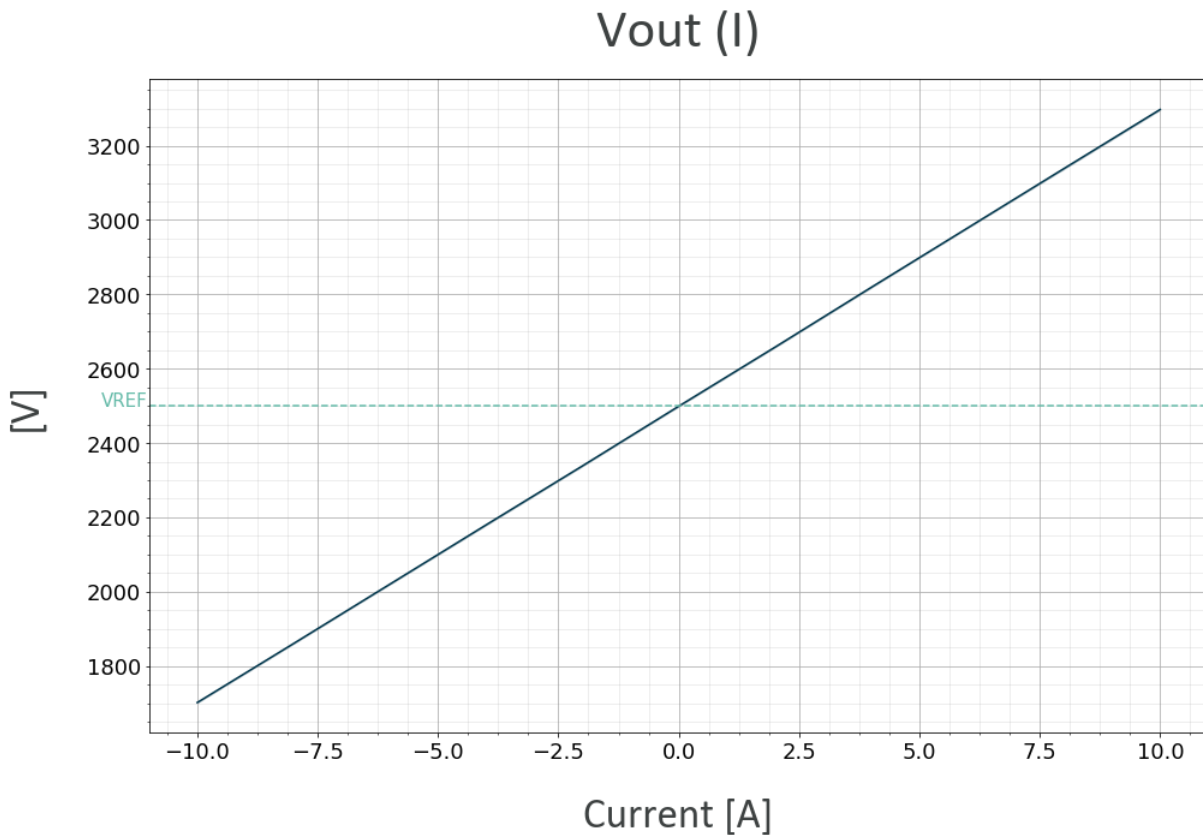


Figure 6: Output range of a bipolar MLX91220 for  $I=[-10\text{ A} ; 10\text{ A}]$

### 6.2. Unipolar version

If only one polarity of the current needs to be sensed, the reference pin can be set to 0.5 V to have a doubled linear output range.

The reference pin voltage can be set externally as described in the previous sections or one can order a unipolar version directly where the reference voltage is set to 0.5 V internally. The polarity of the sensor is defined in the highlighted part of the product code: MLX9122xKDx-A**U/B**x-0xx. **U** stands for unipolar and **B** for bipolar.

Figure 7 shows the output of a unipolar MLX91220 programmed with a sensitivity of 80 mV/A. Reference pin is set to 0.5 V.



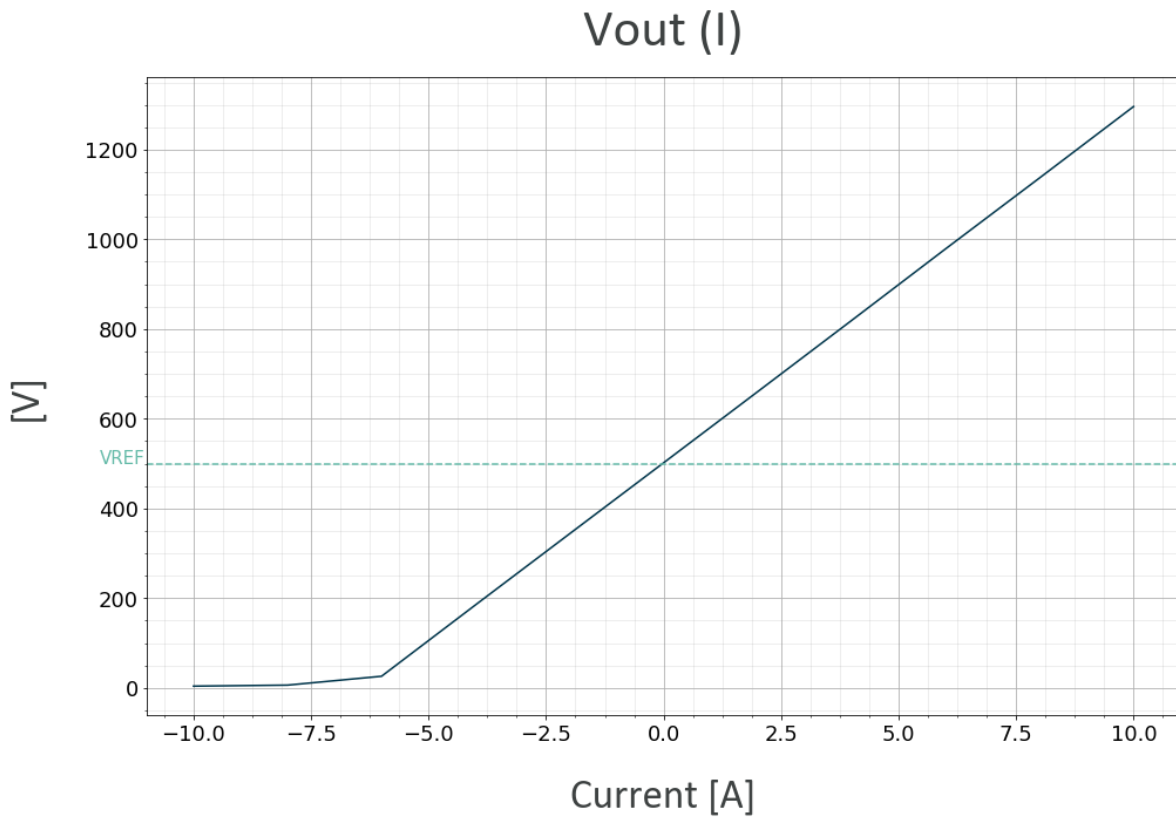


Figure 7: Output range of a unipolar MLX91220 for  $I=[-10\text{ A} ; 10\text{ A}]$

## 7. Disclaimer

*The content of this document is believed to be correct and accurate. However, the content of this document is furnished "as is" for informational use only and no representation, nor warranty is provided by Melexis about its accuracy, nor about the results of its implementation. Melexis assumes no responsibility or liability for any errors or inaccuracies that may appear in this document. Customer will follow the practices contained in this document under its sole responsibility. This documentation is in fact provided without warranty, term, or condition of any kind, either implied or expressed, including but not limited to warranties of merchantability, satisfactory quality, non-infringement, and fitness for purpose. Melexis, its employees and agents and its affiliates' and their employees and agents will not be responsible for any loss, however arising, from the use of, or reliance on this document. Notwithstanding the foregoing, contractual obligations expressly undertaken in writing by Melexis prevail over this disclaimer.*

*This document is subject to change without notice, and should not be construed as a commitment by Melexis. Therefore, before placing orders or prior to designing the product into a system, users or any third party should obtain the latest version of the relevant information. Users or any third party must determine the suitability of the product described in this document for its application, including the level of reliability required and determine whether it is fit for a particular purpose.*

*This document as well as the product here described may be subject to export control regulations. Be aware that export might require a prior authorization from competent authorities. The product is not designed, authorized or warranted to be suitable in applications requiring extended temperature range and/or unusual environmental requirements. High reliability applications, such as medical life-support or life-sustaining equipment or avionics application are specifically excluded by Melexis. The product may not be used for the following applications subject to export control regulations: the development, production, processing, operation, maintenance, storage, recognition or proliferation of:*

- 1. chemical, biological or nuclear weapons, or for the development, production, maintenance or storage of missiles for such weapons;*
- 2. civil firearms, including spare parts or ammunition for such arms;*
- 3. defense related products, or other material for military use or for law enforcement;*
- 4. any applications that, alone or in combination with other goods, substances or organisms could cause serious harm to persons or goods and that can be used as a means of violence in an armed conflict or any similar violent situation.*

*No license nor any other right or interest is granted to any of Melexis' or third party's intellectual property rights.*

*If this document is marked "restricted" or with similar words, or if in any case the content of this document is to be reasonably understood as being confidential, the recipient of this document shall not communicate, nor disclose to any third party, any part of the document without Melexis' express written consent. The recipient shall take all necessary measures to apply and preserve the confidential character of the document. In particular, the recipient shall (i) hold document in confidence with at least the same degree of care by which it maintains the confidentiality of its own proprietary and confidential information, but no less than reasonable care; (ii) restrict the disclosure of the document solely to its employees for the purpose for which this document was received, on a strictly need to know basis and providing that such persons to whom the document is disclosed are bound by confidentiality terms substantially similar to those in this disclaimer; (iii) use the document only in connection with the purpose for which this document was received, and reproduce document only to the extent necessary for such purposes; (iv) not use the document for commercial purposes or to the detriment of Melexis or its customers. The confidentiality obligations set forth in this disclaimer will have indefinite duration and in any case they will be effective for no less than 10 years from the receipt of this document.*

*This disclaimer will be governed by and construed in accordance with Belgian law and any disputes relating to this disclaimer will be subject to the exclusive jurisdiction of the courts of Brussels, Belgium.*

*The invalidity or ineffectiveness of any of the provisions of this disclaimer does not affect the validity or effectiveness of the other provisions.*

*The previous versions of this document are repealed.*

*Melexis © - No part of this document may be reproduced without the prior written consent of Melexis. (2020)*

*IATF 16949 and ISO 14001 Certified*

***For the latest version of this document or find your local contact, visit us at  
[www.melexis.com](http://www.melexis.com)***

## 8. Revision history table

Revision	Date	Description/comments
<b>1.0</b>	December 2020	Initial release
<b>1.1</b>	March 2021	Correction of Vref value in 6.2 Broken link correction 6.1